

TYPE OF INSULATOR U 70

DIMENSIONS

-Diameter of shell	mm	255
-Spacing	mm	127/146
-Creepage distance	mm	320
-Metal fitting comply with IEC 120/1984	mm	16
-Approx.nett weight	kg	3,9

ELEKTRICAL PERFORMANCES

-Power frequency withstand voltage		
-wet one minute	kV	40
-dry one minute	kV	70
-Impulse withstand voltage	kV	100
-Minimum puncture voltage	kV	110

MECHANICAL PERFORMANCES

-Minimum electro-mechanical failing load	KN	70
Tests in accordance with IEC 383/1993		

COMPONENTS PARTS

-Dielectric shell	TOUGHENED GLASS
-Cap	HOT DIP GALVANIZED MALLEABLE CAST IRON
-Pin	HOT DIP GALVANIZED FORGED STEEL
-Cotter key	STAINLESS STEEL

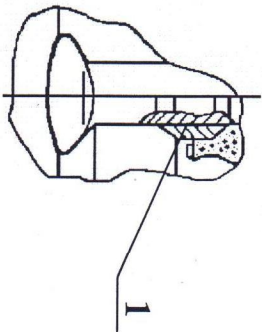
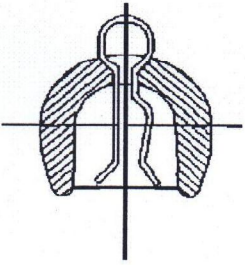
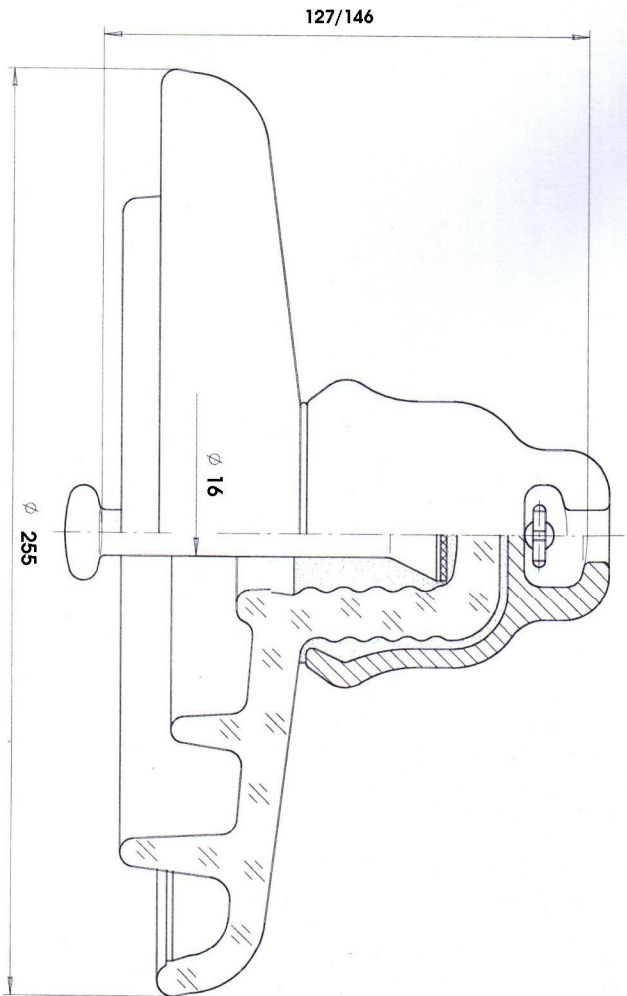
Type of insulator:

U 70

CAO LINH Co.,Ltd

Address :60 Arec 1 , Tan Son Nhi Str. , Tan Phu Dist., HCMC

Telephone : (84-8)22300301 - Fax : (84-8) 38425496



TYPE OF INSULATOR U120

DIMENSIONS

-Diameter of shell	mm	255
-Spacing	mm	127/146
-Creepage distance	mm	320
-Metal fitting comply with IEC 120/1984	mm	16
-Approx.nett weight	kg	3,9

ELEKTRICAL PERFORMANCES

-Power frequency withstand voltage		
-wet one minute	kV	40
-dry one minute	kV	70
-Impulse withstand voltage	kV	110
-Minimum puncture voltage	kV	130

MECHANICAL PERFORMANCES

-Minimum electro-mechanical failing load	KN	120
Tests in accordance with IEC 383/1993		

COMPONENTS PARTS

-Dielectric shell	TOUGHENED GLASS
-Cap	HOT DIP GALVANIZED MALLEABLE CAST IRON
-Pin	HOT DIP GALVANIZED FORGED STEEL
-Cotter key	STAINLESS STEEL

Type of insulator:
U 120B

CAO LINH Co.,Ltd

Address :60 Arec 1 , Tan Son Nhi Str. , Tan Phu Dist.,HCMC
Telephone : (84-8)22300301 - Fax : (84-8) 38425496